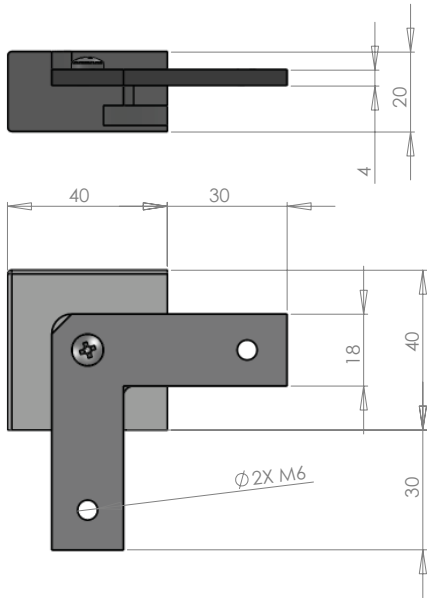




▶ CSU 20 Connector Standard Universal 20

90 degree corner connector for 40x20 profile.



Technical Information:

Connector block

Mass: 0.063kg
 Material: Aluminium
 Finish: Clear anodised

Connector plate

Mass: 0.054kg
 Material: Stainless Steel
 Finish: Deburred

Ordering code

CSU 20 Kit as per drawing
 CSU 201 Connector block for Kit
 CSU 202 Connector plate for Kit

